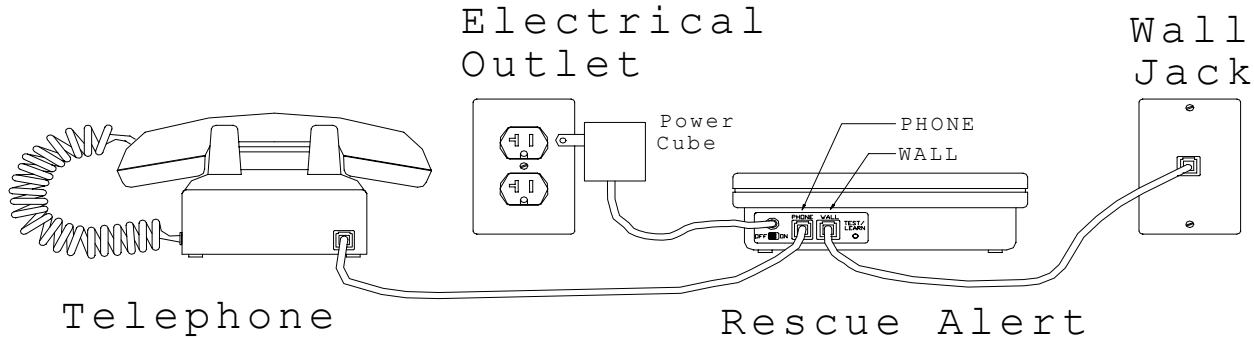




RA400 INSTALLATION INSTRUCTIONS

The figure below is a general representation of the installation of an RA400 Rescue Alert.



1. Locate a telephone jack with an electrical outlet nearby. The Rescue Alert should be placed on a flat, horizontal surface. The Rescue Alert should also be located away from the immediate vicinity of mechanical noise sources, i.e.; oxygen generators, electrical equipment and appliances such as televisions or stereos.
2. Unplug the phone cord from the wall jack and plug the phone cord into the jack marked "PHONE" on the back of the RESCUE ALERT.
3. Find the RESCUE ALERT supplied phone cord with a larger modular plug on one end, and a smaller modular plug on the other end. Plug the smaller end into the wall jack, and the larger end into the jack marked "WALL" on the back of the RESCUE ALERT. *When your Rescue Alert calls the Response Center, the telephone and any other device connected to the PHONE jack on the rear of your Rescue Alert will be disconnected during the call. This means that if this telephone is off-hook, your Rescue Alert can still contact the Response Center. If there are other extensions of the same telephone number in your home that are off-hook when your Rescue Alert needs to place a call, it will not be able to unless the local telephone company has installed an RJ31X jack. This allows the Rescue Alert to disconnect any telephone in the house that may be off-hook. If you elect to have an RJ31X installed, contact your Service Provider and ask for an RJ31X telephone cord, part number RA400-RJ31X*
4. Plug the Power transformer into an AC outlet. Verify that the outlet is not controlled by a light switch.
5. Turn the Power Switch on, located on the Rear of the RESCUE ALERT.
6. Test range to make sure transmitter works in home and yard as needed. This is done by: (1) press and release small toggle button on the rear of the Rescue Alert; (2) immediately press and hold down the Personal Help Button (PHB); and (3) walk around the home and yard. A continuous tone will be emitted by the Rescue Alert while pressing the PHB, indicating the RESCUE ALERT works from that location. (4) To end range test, press "CANCEL" button on the right side of the home unit.
7. Call RESCUE ALERT Attendant to test (801-571-4121) or (1-800-688-9576).

